

ZSB087821 (ORDER NO. 087821)

ZSB, housing G3, 3-stage, +/- pushbuttons illuminated, selector switch and cable

- ▶ 3-stage function
- ▶ Housing G3
- ▶ Straight connecting cable, 10 m
- ▶ Two illuminated buttons
- ▶ Selector switch
- ▶ Including holder



Description

Switching element

2220 2/NC (→)

Cable

The high-quality connecting cables (individual screening of the safety contacts) are available in a straight version.

Selector switch (12-stage)

For the selection of different axes or ranges. All outputs are open between the switch positions on the selector switch (break-before-make switching)!

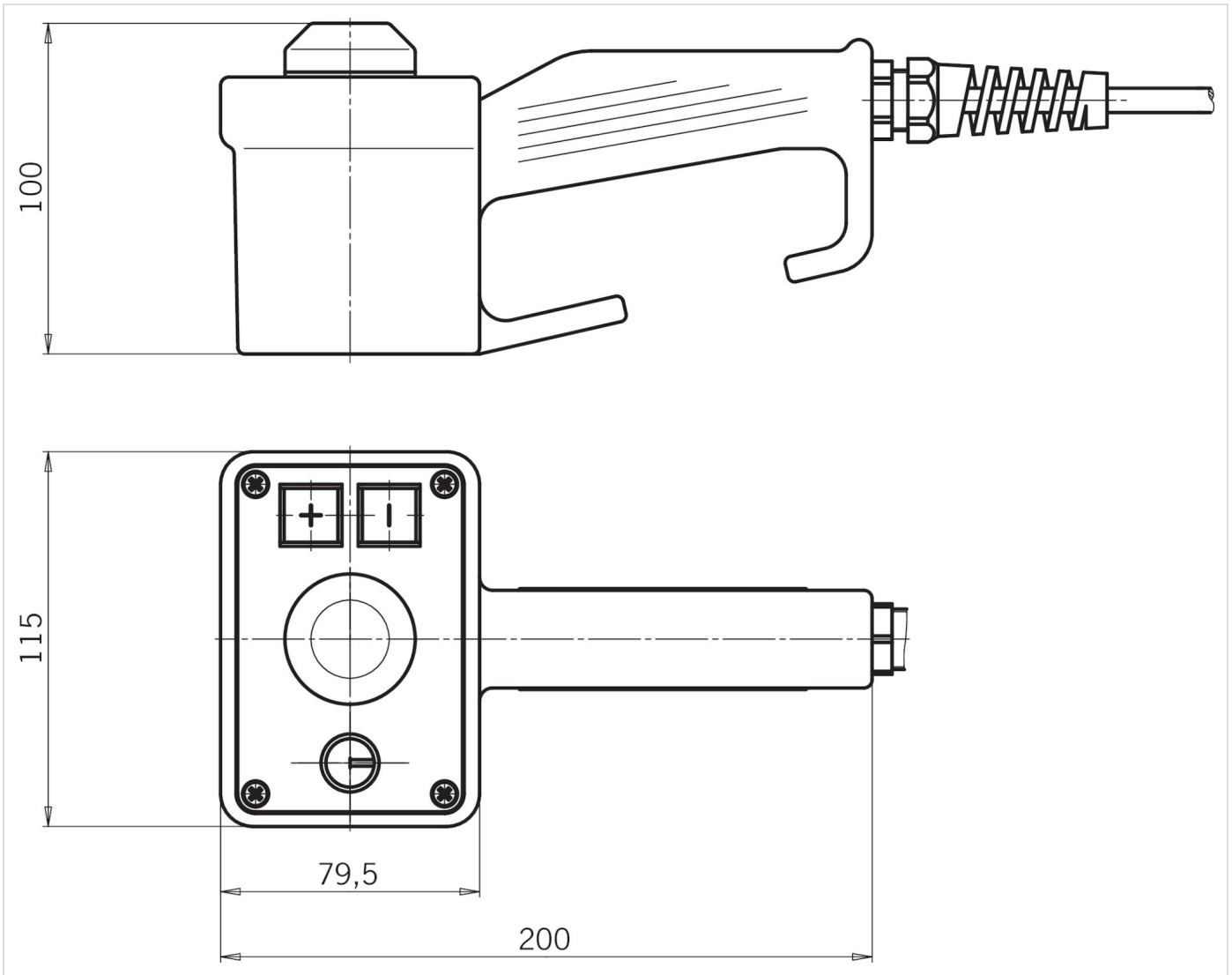
3-stage function

Enabling function is active only in the second stage (middle position, actuating point). If the pushbutton is released or pushed further (panic function), the enabling is removed (dependent on the wiring, see function sequence).

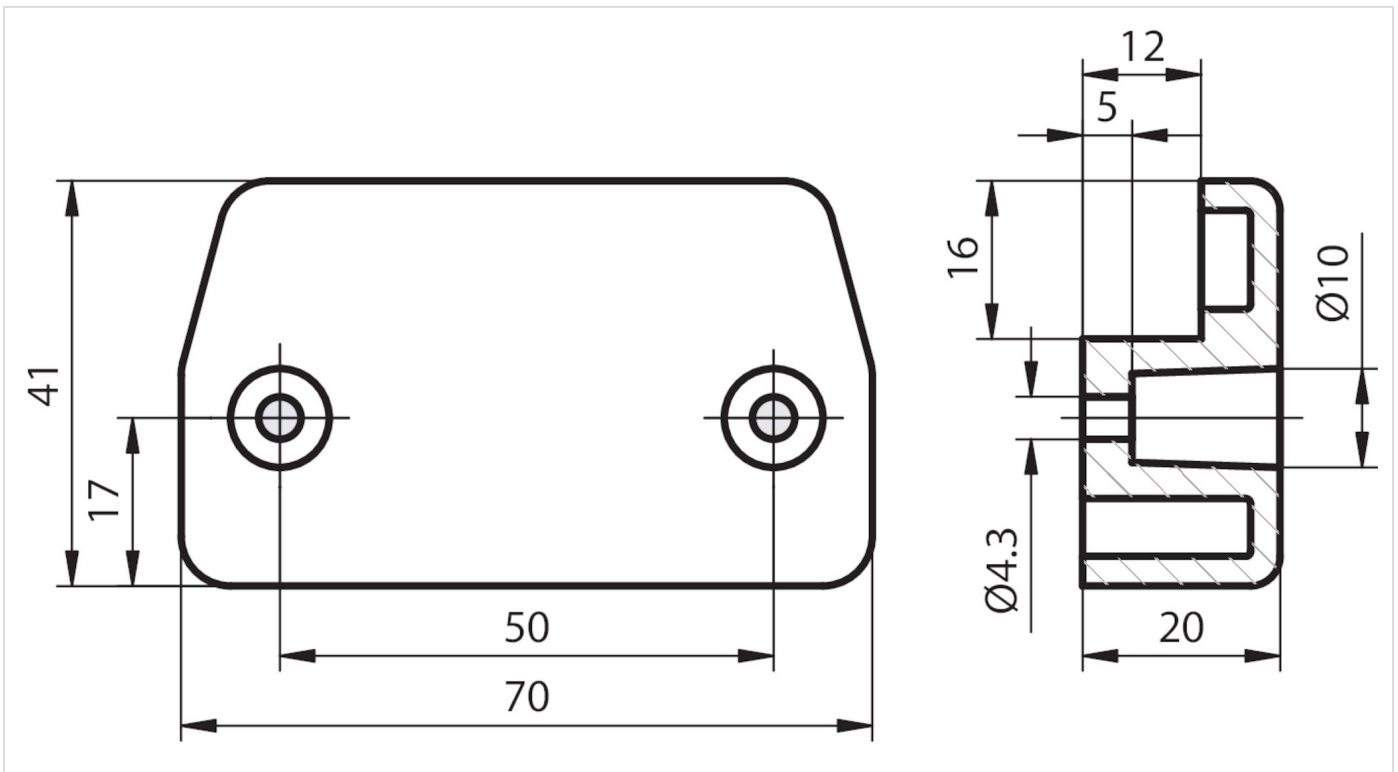
Illuminated + and - buttons

These buttons can be configured individually. For example, for moving axes in positive or negative direction.

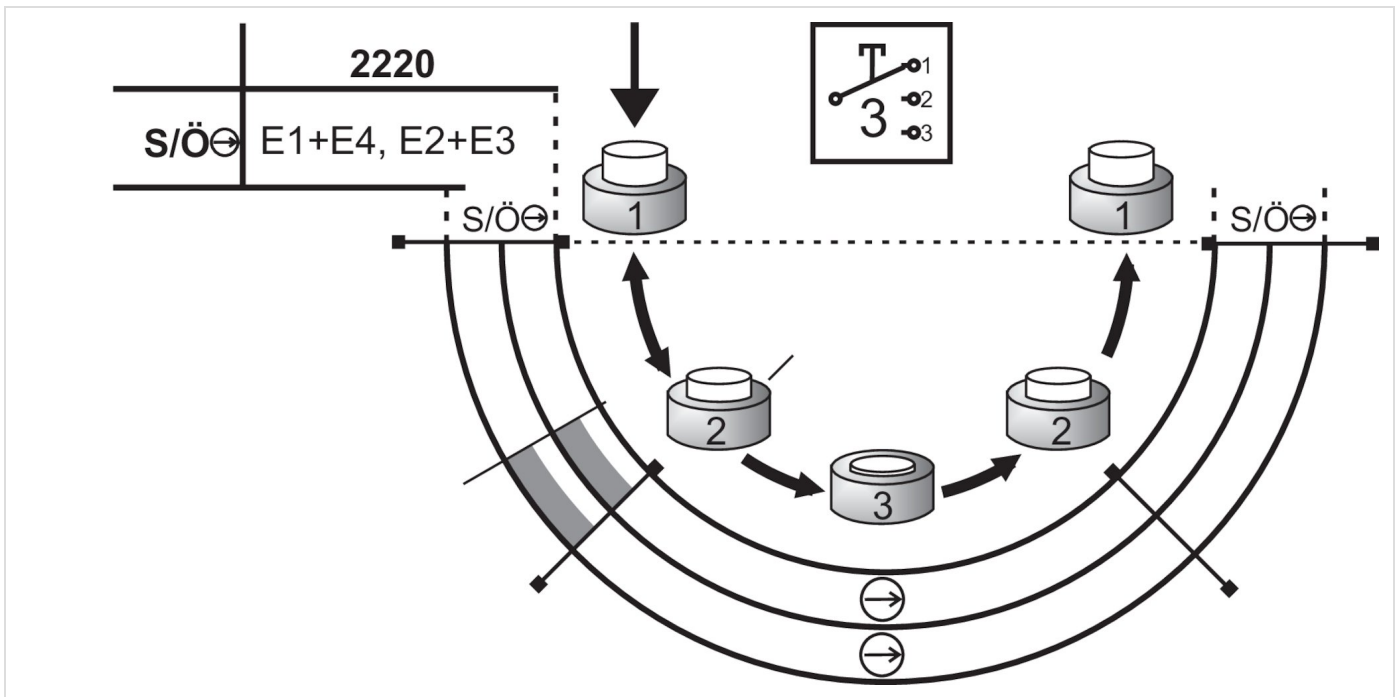
Dimension drawing



Dimension drawing



2220 with selector switch



- open
- closed
- closed, enabling

Technical data

Approvals



Mechanical values and environment

Material

Housing Plastic yellow

Cap Elastomer PAK arm, black

Weight

Net 2,5 kg

Ambient temperature -5 ... +50 °C

Degree of protection IP65

Mechanical life

Position 1-2-3-1 0,1 x 10⁶

Position 1-2-1 0,1 x 10⁶

Switching principle Slow-action contact element

Number of positively driven contacts 2

Number of NO contacts 2

Connection Flying lead

Cable length

straight 10 m

Electrical connection ratings

Rated conditional short-circuit current	100 A
Utilization category acc. to EN 60947-5-1	
	AC-15 2A 24V
	400mA 24V
	DC-13 2A 24V
	100mA 24V
Short circuit protection according to IEC 60269-1	
	at 24V 2A gG (In case of operating voltages other than DC 24V, the short circuit protection must be dimensioned accordingly and checked.)
Additional elements at 24V	0.1A gG (In case of operating voltages other than DC 24V, the short circuit protection must be dimensioned accordingly and checked.)
Rated insulation voltage U_i	250 V
Rated impulse withstand voltage U_{imp}	0,8 kV
Switching voltage	
	Min. at 10mA min.12 V
Switching current	
	Min. at 24 V min.1 mA
Degree of contamination (external, according to EN 60947-1)	
	Industry 3
Connecting cable	8x0.5mm ² + 8x0.14mm ² (4x0.5mm ² screened + 4x0.5mm ² unscreened + 8x0.14mm ² unscreened. Outer screen over everything.)


Controls and indicators


	Control/indicator
Version	Illuminated - pushbutton
Slide-in label	
Special features	
Color	
Switching element	
	Control/indicator
Version	Illuminated+ pushbutton
Slide-in label	
Special features	
Color	
Switching element	
	Control/indicator
Version	Selector switch
Slide-in label	
Special features	
Color	
Switching element	


Reliability values according to EN ISO 13849-1


	Enabling switch
B10 _D	0,5 x 10 ⁶

Contacts

 EUCHNER GmbH + Co. KG
Kohlhammerstraße 16
70771 Leinfelden-Echterdingen

 +49 711 7597-0

 +49 711 753316

 [info\(at\)euchner.de](mailto:info(at)euchner.de)